

10 Year Column Limited Warranty

For a period of ten (10) years after purchase, TURNCRAFT warrants that its redwood exterior columns will be free of manufacturing defects and joint separation when: 1) properly installed, 2) the bottom three (3) feet or more of the column interior is coated with asphaltum, 3) the column is properly sealed, painted* and ventilated according to TURNCRAFT's Architectural Columns Installation Instructions, and 4) columns are not exposed to extreme or unusual weather conditions.** Should replacement be necessary under this limited warranty, the sole remedy shall be limited to the furnishing of new shafts, caps and/or bases to replace the defective parts. Field assembled joints, such as required by halved and doweled construction, are not warranted. Seller does not include, and will not pay for installation and painting as part of this limited warranty, nor shall Seller be liable for compensatory, consequential or incidental damages under this limited warranty. There are no other express warranties contained herein, and all representations or affirmations made, and all samples and models shown are for illustrative purposes only.

*Columns must not be painted or finished with textures or colors that absorb excessive sunlight.

**See reverse for a summary of preparation, ventilation and finishing instructions.

Seller makes no warranty of merchantability or that the products covered hereby are fit for any particular purpose. There are no warranties, implied or expressed, except that contained on the face of this document.

SITE INSPECTION

I, the undersigned have inspected the job site below and have found the TURNCRAFT Columns to be properly prepared, installed, ventilated and painted. (Warranty not valid unless all blanks below are properly filled in.)

Signature _____ Date _____

Name (Please Print) _____

Address _____

City, State, Zip _____

TURNCRAFT Rep. _____

Warranty No. _____

Date _____

Mail or Fax to:



PO Box 2429, White City, OR 97503
(541) 826-2911 / FAX (541) 826-1393

Vented Soffit

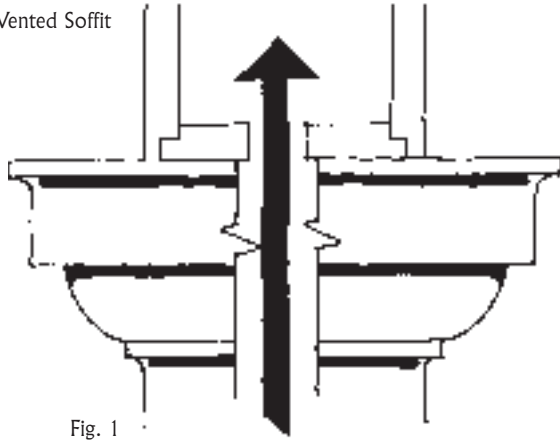


Fig. 1

Recessed Soffit

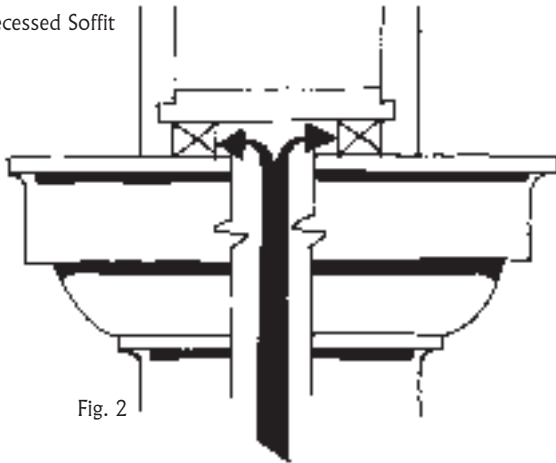


Fig. 2

Ventilated Soffit

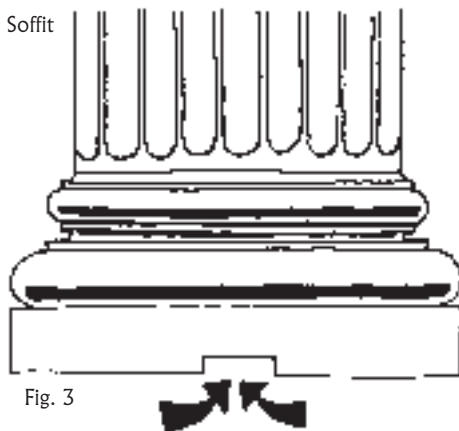


Fig. 3

Summary of Preparation, Ventilation and Painting Instructions

Column shafts, capitols and bases must be stored in a dry, well-ventilated area.

Before delivery to job site all wooded parts should be painted with a minimum of two (2) coats of a quality oil base primer.

Asphaltum should be applied a minimum of three (3) feet up the inside of the column shaft and the inside wall of a wooden base.

Columns must always have adequate ventilation. This can be supplied in two (2) ways: a ventilated plinth and soffit (figures 1 & 3) or a ventilated plinth and recessed soffit (figures 2 & 3). Miniature louvers, or venting into a non-vented soffit are not adequate for proper ventilation to occur. When leveling plinths, be certain that sufficient ventilation area is retained.

This ventilation must be provided by the installing contractor, Turncraft will only warranty columns that have been installed with a ventilated plinth and recessed or ventilated soffit as shown.

For this warranty to be effective, good workmanship and care in following complete TURNCRAFT installation instructions must be exhibited by the installation.

