



DURAGLASS COLUMN SPECIFICATIONS

MATERIALS:

Poly-Classic® DuraGlass columns are manufactured of fiberglass and resins, using two different methods. Pultruded columns start with fiberglass rovings (long strands) that are fed through a die. Resins are added, and the column is pulled through the processing equipment. When pultruded columns are split for reassembly, they are split corner-to-corner (diagonally), which gives the largest surface for adhesives, and provides the installer with the easiest reassembly.

Resin-infused columns start with fiberglass laid up in the mold, then an interior bladder is put in place and inflated. The resins are then infused into the fiberglass between the mold and the bladder. The finished materials are lightweight* and easier to handle than FRP or other column materials, yet are exceptionally strong for their weight. When resin-infused columns are split for reassembly, a unique built-in flange will be added to the vertical seams to simplify installation.

*Typically, resin-infused columns will weigh up to 75% less than FRP columns.

ROUND DURAGLASS COLUMN SIZES:

Round tapered and non-tapered shafts are available in 30" diameters. Due to the resin-infused manufacturing process, 30" diameter columns are not available in a fluted style.

Tapered shafts have a modified architectural entasis, with a Tuscan style astragal for authentic styling. Since these are molded products, some sizes may vary from the 1/3 straight to 2/3 tapered ratio. Please see the tables on the following pages for exact information on the shaft tapers, and top and bottom net diameters, etc. Non-tapered shafts have no astragal, providing a more contemporary look. Non-tapered 30" columns use the Tuscan base as a cap (upside down). There may be a short section of the shaft that is tapered, but that section will be covered by the cap, so the shaft that is visible is non-tapered.

In addition to the Tuscan cap and base, Attic bases are also available. Several ornamental capital styles are also available. See our *Poly-Classic Ornamental Capitals* specifications for styles and other information. When used with ornamental capitals, the column astragal will be modified as needed to provide an architecturally correct installation.

Column Bottom Diameter*	Tapered Round Shafts												Load Capacity	
	8'	10'	12'	14'	16'	18'	20'	22'	24'	26'	28'	30'		
30"	•	•	•	•	•	•	•	•	•	•	•	•	•	25,000

Column Bottom Diameter*	Non-tapered Round Shafts						Load Capacity
	8'	10'	12'	14'	15'		
30"	•	•	•	•	•	•	25,000

*Actual shaft net diameter may be smaller than nominal size shown.

SQUARE DURAGLASS COLUMN SIZES:

Square non-tapered shafts are available unfluted. Due to the resin-infused or pultruded manufacturing processes, fluting is not available. The 8" to 12" square columns are pultruded; the 16" column is resin-infused. Ornamental capitals are available for the 16" width column. Please see our *Poly-Classic Square Ornamental Capitals* specifications for information and availability. (Capitals for FRP columns may not fit DuraGlass columns.)

Column Bottom Width	Non-tapered Square Shafts						Load Capacity
	8'	9'	10'	12'	14'	16'	
8" †	•	•	•	•			5,000
10" †	•	•	•	•			6,000
12" †	•	•	•	•			7,000
16" ‡	•	•	•	•	•	•	20,000

† Net shaft width is 3/8" less than nominal size shown.

‡ Net shaft width may be less than nominal size shown.

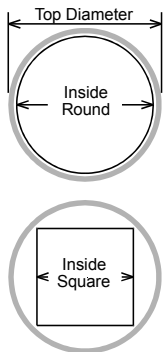
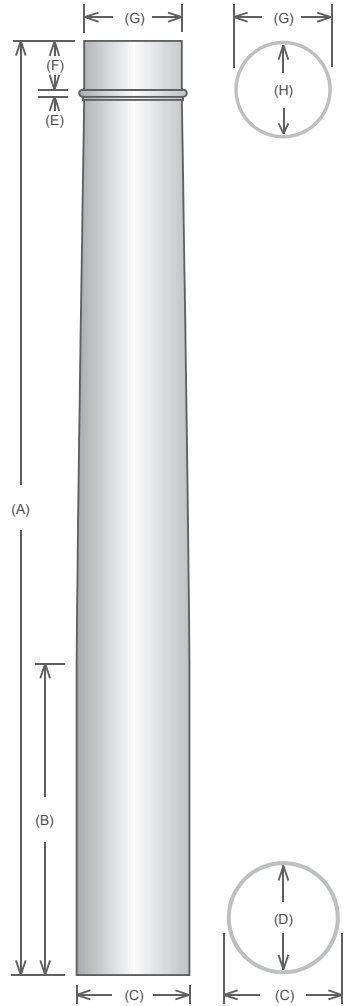
DURAGLASS ROUND COLUMN SPECIFICATIONS

ROUND TAPERED SHAFTS:

Standard DuraGlass column shafts are the same height as the listed size. Tuscan caps/bases and Attic bases go around the shaft, and do not affect the overall height. Ornamental capitals are set on top of the column astragal, and will affect the overall height: see the *Poly-Classic Ornamental Capitals* specifications for more information.

Column Nominal Diameter*	Shaft Height	Shaft Bottom*		Shaft Top*		Space Available Inside Shaft		Shaft Neck		Straight Portion of Shaft
		Outside Diameter	Inside Diameter	Outside Diameter	Inside Diameter	For Round Support	For Square Support	Neck Height	Astragal Ring	
		(C)	(D)	(G)	(H)			(F)	(E)	
30"	8'	30"		25"						
	10'									
	12'									
	14'									
	16'									
	18'									
	20'									
	22'									
	24'									
	26'									
	28'									
	30'									

*Actual shaft net diameters may be smaller than nominal size shown.



The "Space Available Inside Shaft" measurements are calculated at the top inside diameter (with $\pm 3/8$ " tolerance), when using Tuscan caps.

When composite ornamental capitals are used, the load-bearing plug will reduce the inside available space significantly. If the column will not be required to carry a load, it may be possible for the installer to modify or eliminate the plug to allow more interior space. Please contact Turncraft Customer Service for more information.

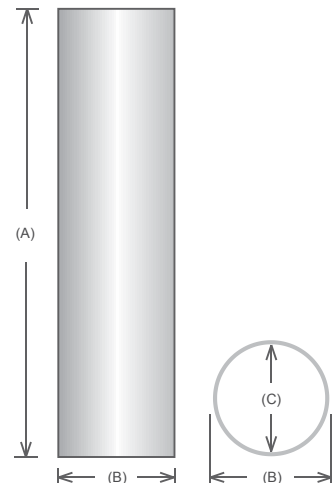
These measurements are provided to assist in determining the correct column diameter to go around a load bearing post or lally column, or for clearance for water downspouts, conduits, etc.

ROUND NON-TAPERED SHAFTS:

Standard DuraGlass column shafts are the same height as the listed size. Tuscan caps/bases and Attic bases go around the shaft, and do not affect the overall height. Tuscan bases are used (upside-down) as caps. Ornamental capitals are not available for non-tapered shafts.

Column Nominal Diameter*	Shaft Height	Shaft Bottom*		Shaft Top*		Space Available Inside Shaft	
		Outside Diameter	Inside Diameter	Outside Diameter	Inside Diameter	For Round Support	For Square Support
		(B)	(C)	(B)	(C)		
30"	8'	30"		30"			
	10'						
	12'						
	14'						
	15'						

*Actual shaft net diameters may be smaller than nominal size shown.



DURAGLASS SQUARE COLUMN SPECIFICATIONS

SQUARE NON-TAPERED SHAFTS:

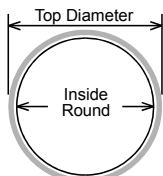
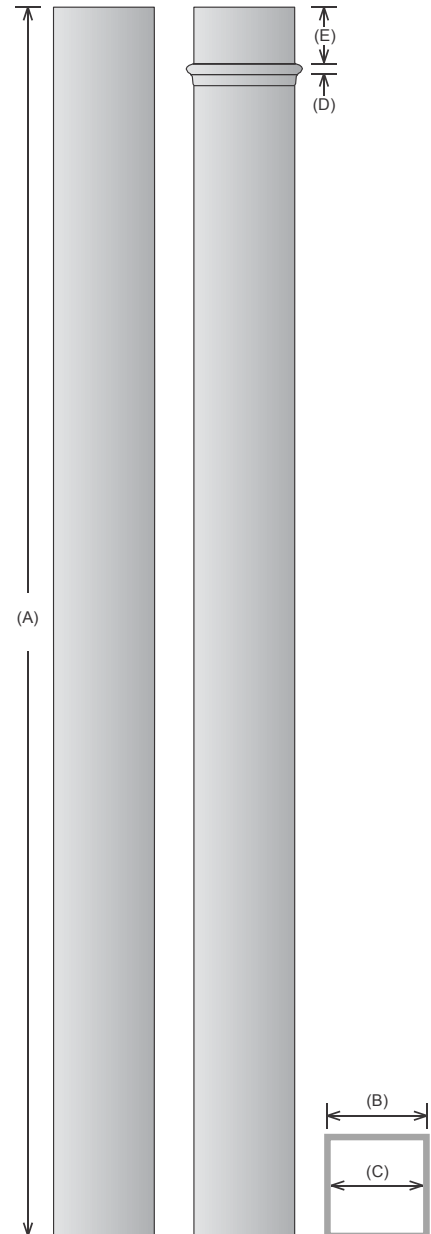
Standard DuraGlass column shafts are the same height as the listed size. Tuscan caps and bases go around the shaft, and do not affect the overall height. Ornamental capitals (for 16" columns) are set on top of the column astragal, and will affect the overall height: see the *Poly-Classic Square Ornamental Capitals* specifications for more information.

Square 16" columns are resin-infused fiberglass; all other sizes are pultruded fiberglass.

Column Nominal Width†	Shaft Height	Shaft Bottom†		Shaft Top		Space Available Inside Shaft:	
		Outside Width	Inside Width	Shaft Neck‡	Astragal Ring	For Round Support	For Square Support
		(A)	(B)	(C)	(E)	(D)	
8"	6'	7 5/8"	7 1/8"	4 1/2"	3/4"	6 3/4"	6 3/4"
	8'						
	9'						
	10'						
	12'						
10"	6'	9 5/8"	9 1/8"	5"	3/4"	8 3/4"	8 3/4"
	8'						
	9'						
	10'						
	12'						
12"	6'	11 5/8"	11 1/8"	5 1/2"	3/4"	10 3/4"	10 3/4"
	8'						
	9'						
	10'						
	12'						
16"	8'	15 7/8"	15 1/8"	7 5/8"	1"	14 3/4"	14 3/4"
	10'						
	12'						
	14'						
	16'						
	18'						
20'							

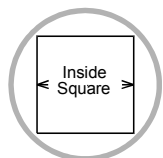
† Actual shaft net widths may vary from nominal size shown.

‡ Necking is shipped loose for pultruded columns. Spacing shown is typical, but may be adjusted by the installer. (Necking on 16" columns is integrated with the shaft.)



The "Space Available Inside Shaft" measurements are calculated at the top inside diameter (with $\pm 3/8$ " tolerance), when using Tuscan caps.

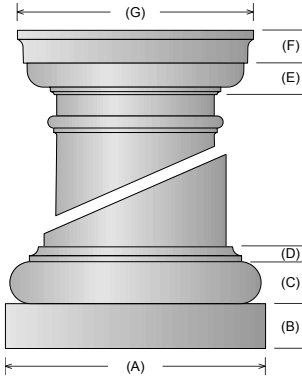
When composite ornamental capitals are used, the neck sleeve will reduce the inside available space significantly. If the column will not be required to carry a load, it may be possible for the installer to modify or remove the neck sleeve to allow more interior space. Please contact Turncraft Customer Service for more information.



These measurements are provided to assist in determining the correct column diameter to go around a load bearing post or lally column, or for clearance for water downspouts, conduits, etc.

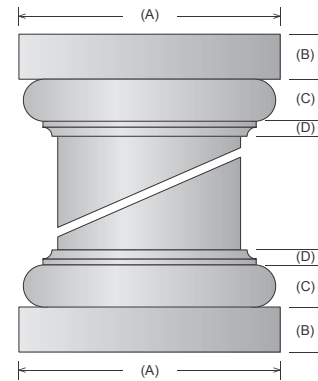
DURAGLASS CAP & BASE SPECIFICATIONS

Cap and base products for DuraGlass pultruded or resin-infused fiberglass columns are manufactured of low-maintenance materials. Tuscan cap/base and Attic base for 30" round columns are made of resin-infused fiberglass.



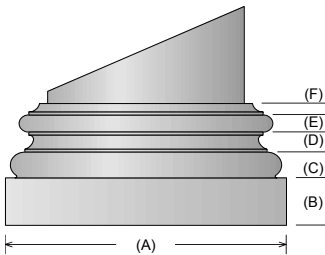
TUSCAN CAP AND BASE FOR ROUND TAPERED COLUMNS:

Column Diameter	Tuscan Base					Tuscan Cap				Material
	Plinth		Torus		Total Height	Echinus	Abacus		Total Height	
	(A)	(B)	(C)	(D)	(B-D)	(E)	(F)	(G)	(E-F)	
30"	40 1/2"	7 1/4"	6 1/2"	2 3/4"	16 1/2"	4 7/16"	5 1/8"	35 3/4"	9 9/16"	Fiberglass



TUSCAN CAP AND BASE FOR ROUND NON-TAPERED COLUMNS:

Column Diameter	Tuscan Base					Tuscan Cap					Material
	Plinth		Torus		Total Height	Echinus		Abacus		Total Height	
	(A)	(B)	(C)	(D)	(B-D)	(D)	(C)	(B)	(A)	(B-D)	
30"	40 1/2"	7 1/4"	6 1/2"	2 3/4"	16 1/2"	2 3/4"	6 1/2"	7 1/4"	40 1/2"	16 1/2"	Fiberglass

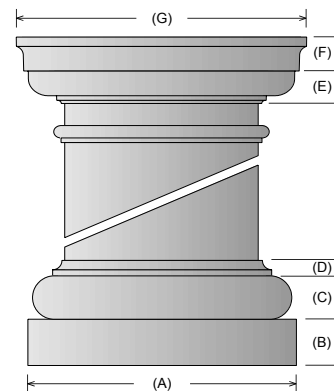


ATTIC BASE FOR ROUND COLUMNS:

Column Diameter	Attic Base							Material
	Plinth		Torus			Total Height		
	(A)	(B)	(C)	(D)	(E)	(F)	(B-F)	
30"	40 1/2"	7 1/4"	3 7/8"	3 5/8"	2 5/8"	1 7/8"	17 1/4"	Fiberglass

TUSCAN CAP AND BASE FOR SQUARE NON-TAPERED COLUMNS (STANDARD):

Column Width	Tuscan Base					Tuscan Cap				Material
	Plinth		Torus		Total Height	Echinus	Abacus		Total Height	
	(A)	(B)	(C)	(D)	(B-D)	(E)	(F)	(G)	(E-F)	
8"	10 9/16"	1 3/4"	1 5/8"	1/2"	3 7/8"	1 5/16"	1 3/8"	10 11/16"	2 11/16"	ABS
10"	12 19/16"	1 3/4"	1 5/8"	1/2"	3 7/8"	1 5/16"	1 3/8"	12 11/16"	2 11/16"	Pultruded FG
12"	17"	2 3/4"	2 3/8"	7/8"	6"	1 7/8"	2"	17 1/4"	3 7/8"	Polyurethane
16"	22 1/4"	3 7/8"	3 3/8"	1 1/8"	8 3/8"	2 13/16"	2 3/4"	22 1/2"	5 9/16"	Fiberglass



TUSCAN CAP/BASE FOR SQUARE NON-TAPERED COLUMNS (POLYURETHANE):

Column Width	Tuscan Base					Tuscan Cap				Material
	Plinth		Torus		Total Height	Echinus	Abacus		Total Height	
	(A)	(B)	(C)	(D)	(B-D)	(E)	(F)	(G)	(E-F)	
8"	11"	1 7/8"	1 3/4"	5/8"	4 1/4"	1 5/16"	1 7/16"	10 7/8"	2 3/4"	Polyurethane
10"	13 1/8"	2 3/8"	2 1/8"	3/4"	5 1/4"	1 13/16"	1 3/4"	12 3/4"	3 9/16"	Polyurethane

Necking provided with polyurethane cap and base will be made of pultruded fiberglass.