

Poly-Classic[®] Craftsman Series Column Installation of Tapered Columns

Warning: precision machined edges of Poly-Classic Craftsman column components can be extremely sharp. Use of appropriate personal protection equipment is required.



1) Measure overall opening from floor to beam or soffit (must have structural pressure-treated post or lally column for load support.)



2) Trim shaft pieces to 2/4" shorter than opening - 2" for cap/base, 1/4" for expansion (1/4" if not using cap and base - each part is 1" thick.) Always trim from bottom ONLY - top is marked.



3) If you are going to use screws, pre-drill/countersink all panels. See joint diagram on next page to determine which edge to pre-drill.



4) Lay 3 panels flat and apply adhesive to center joints. (Polyurethane glue is recommended. Follow manufacturer's instructions.)



5) Assemble three panels, using E-Z lock joints.



6) If you are not using screws, finish nail three panels together.



7) If using screws, assemble three panels together using coarse thread galvanized screws (deck screws)



8) Slide 3/4 base around post



9) Glue 1/4 piece of base using biscuits (supplied). Center and attach to floor/pedestal with appropriate fasteners.



10) Slide assembled 3-sided column around support (on top of base)



11) Slide 3/4 cap into place on top of column panels.*



12) Raise cap to beam/soffit, center, and attach. There should be 1/4" between column and cap platform.



13) Apply adhesive to final panel



14) Assemble final panel to column using E-Z lock joint



15) Screw or nail final panel to secure



16) Glue 1/4 cap piece and slide into place. Pin nail cap moulding to top of column.*



17) Using miter saw, cut base trim pieces to fit around bottom of column



18) Use column shaft to mark cut lines for miters (cut long and work your way shorter for best results)



19) Apply adhesive to moulding and pin-nail into place.

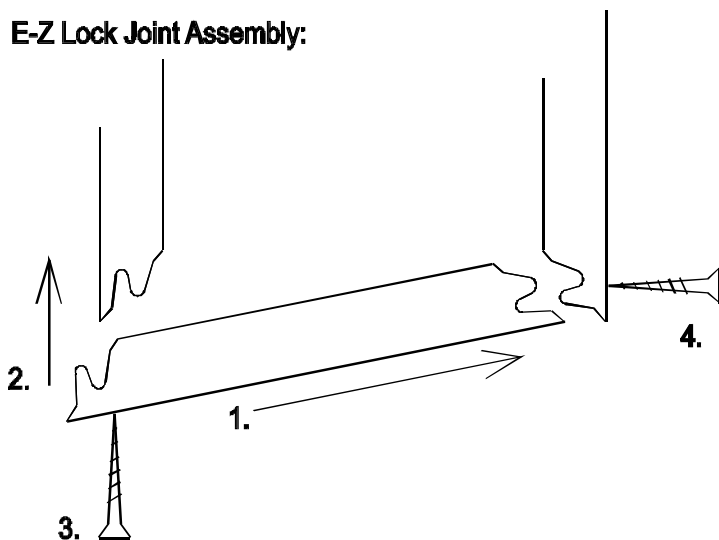


20) Caulk using latex caulking compound to fill an gaps & nail or screw holes.



21) Clean surface of column with cleaner recommended by the paint manufacturer. Paint with 2 coats of acrylic latex paint.

E-Z Lock Joint Assembly:



Please note the correct assembly of the E-Z Lock joint shown at the left. The screws or nails **MUST** be installed only in the edges shown (3 and 4). Installing on the other edges will result in open seams. (Pre-drill if using screws.)

- 1) Glue both joint edges; slide 1st joint together.
- 2) Push 2nd joint closed.
- 3) Nail or screw this joint first.
- 4) Nail or screw this joint second.

Notes:

Panels are marked "TOP" - trim from the bottom only. Cap and base pieces are also marked as "CAP" or "BASE". Only use non-corrosive fasteners - galvanized, stainless steel, etc.

Always follow glue and paint manufacturer's instructions.

*Column must not be allowed to collect water, debris, etc. If the top of the column extends beyond the soffit/beam, the cap must be flashed with lead, copper, aluminum, etc. to prevent accumulation.